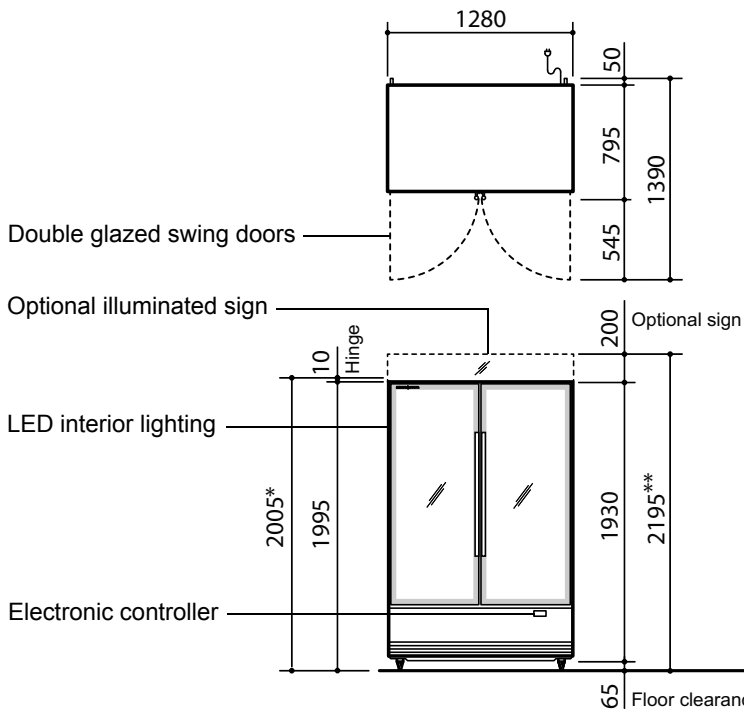


specifications

BME1200-A Series

Bottom Mount ActiveCore
Two Door Upright Chiller



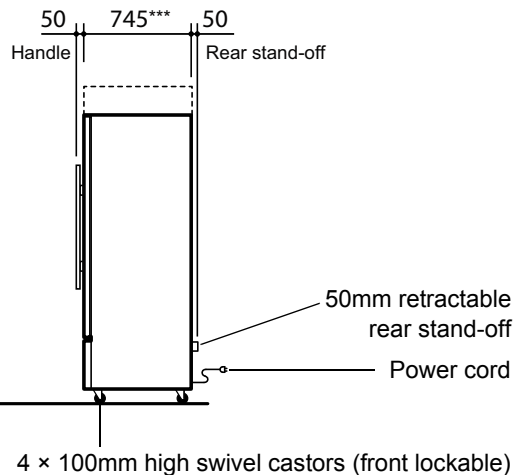
CABINET DIMENSIONS

	External	Internal
Height:	2005mm* / 2195mm**	1454mm
Width:	1280mm	1180mm
Depth:	795mm	602mm
Floor area:	1.08m ² (includes door handle)	

* Height 2005mm without sign (model BME1200-A)

** Height 2195mm with sign (model BME1200-AC)

*** Depth 745mm excludes removable door handle, door lock bracket and rear stand-off.



Copyright © 2016 SKOPE Industries Limited

GENERAL SPECIFICATIONS

Temperature range	1°C to 4°C (adjustable up to 15°C)
Climate class	5 (Tested at 43°C)
Doors	Lockable, self-closing, reversible, double glazed, single Low-E, argon filled, toughened safety glass swing doors (hinged LH, RH)
Internal Volume	1079 litres
Interior lighting	2 x 20W T8 LED tube (Ø26mm x 1350mm) side lights
Shelves	8 adjustable height wire shelves: 577mm wide x 520mm deep (4 each door) plus two stainless steel bottom shelves 580mm wide x 515mm deep
Power supply	220-240 Volts a.c. 50 Hz, single phase supply. Supplied with 10 Amp 3-Pin plug
Current draw	4.5 Amps (includes unit 2.9 Amps)
Refrigeration system	Removable ActiveCore bottom mount refrigeration unit (UBHCCI-0001)
Refrigerant	R134a / 380g
Nominal capacity	836 Watts
Controller	Carel S4 electronic controller
Drainage	No plumbing required
Weight	245 kg

INDIVIDUAL SPECIFICATIONS

Model	BME1200-A	BME1200-AC
Part number	SM12GV	SM12BV
Sign	No sign	200mm high illuminated sign
Sign lighting	n.a.	1 x 20W T8 LED tube (Ø26mm x 1200mm)

SKOPE Industries Limited reserve the right to alter specifications without notice.

PSS0468 Rev. 2.0 Apr. 2017



SKOPE INDUSTRIES LIMITED

Australian Freephone: 1800 121 535, New Zealand Freephone: 0800 947 5673

Email: skope@skope.co.nz, Website: www.skope.com

