

Hot cupboards without upstand

The range consists of hot cupboards with sliding doors and without upstand, varying in length from 1000 to 2000 mm. Hot cupboards are ideal for storing and keeping crockery warm.

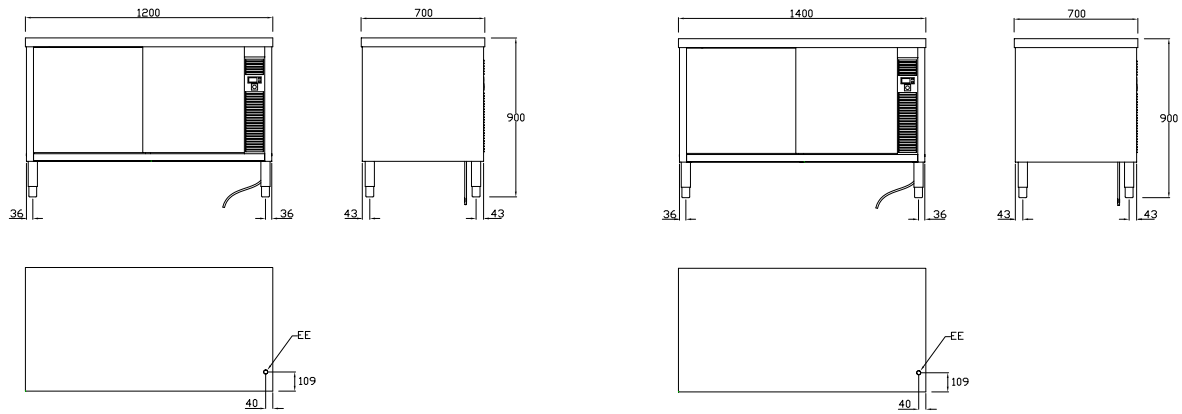


132675

- The ventilated hot air flow system guarantees increased temperature evenness since hot air flows throughout cabinet and underneath the intermediate shelving.
- Digital display thermostat to control the internal temperature.
- Made entirely from stainless steel with welded construction for maximum strength.
- Inner welded frame in stainless steel to guarantee superior strength and stability.
- The 50 mm high worktop in 304 AISI stainless steel, incorporates a layer of 18 mm sound deadening material, has upturned edges to protect the kitchen worker.
- Reinforced side and base panel in 304 AISI stainless steel.
- The worktop cupboards are equipped with an intermediate shelf that can be positioned at three different heights.
- Ideal for use in the centre of the kitchen either on their own or back to back.
- The sound-deadened sturdy sliding doors on tracks located flush to the front of the frame.
- Easy access to the cupboard interior on all lengths guaranteed by the use of only 2 doors.
- All panel edges are upturned to guarantee the safety of the kitchen worker.
- 200 mm high AISI 304 stainless steel feet, 54 mm in diameter, adjustable by -50/+30 mm.
- All models comply with the more strict international standards as far as hygiene and cleanability are concerned.

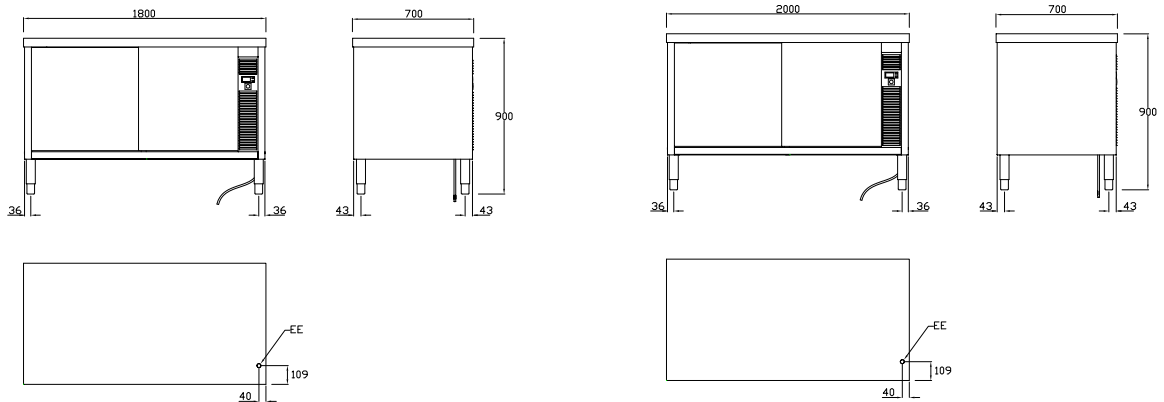
132674

132675

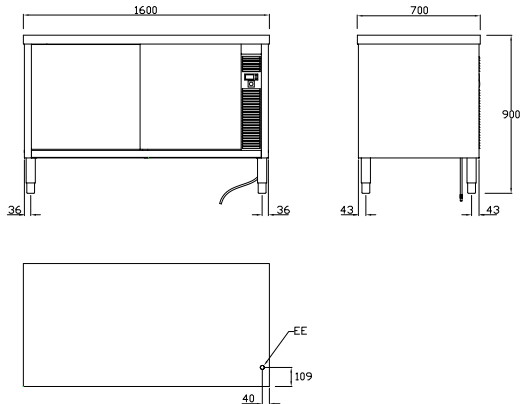


132677

132678



132676



Electrolux standard preparation

Hot cupboards without upstand

ACAH010

2010-05-28

Subject to change without notice

	MTC1200P 132674	MTC1400P 132675	MTC1800P 132677	MTC2000P 132678	MTC1600P 132676
LEGEND					
EI - Electrical connection	220/240 V, 1N, 50/60	220/240 V, 1N, 50/60	220/240 V, 1N, 50/60	220/240 V, 1N, 50/60	220/240 V, 1N, 50/60
TECHNICAL DATA					
External dimensions - mm					
width	1200	1400	1800	2000	1600
depth	700	700	700	700	700
height	900	900	900	900	900
Worktop thickness - mm	50	50	50	50	50
Internal cupboard dimensions - mm					
width	995	1195	1595	1795	1395
depth	620	620	620	620	620
height	570	570	570	570	570
Cabinet					
temperature - °C	50-70	50-70	50-70	50-70	50-70
Power - kW					
installed-electric	2.4	2.4	2.4	2.4	2.4
Net weight - kg.	55	60	70	75	65
ACCESSORIES					
SET OF 4 WHEELS (2 WITH BRAKE) D. 125 MM	855880	855880	855880	855880	855880