

## Induction Cooktop 450mm

INLB8200E-CD



INLB8200E-CD

### OVERALL CONSTRUCTION

#### COOKTOP

- Welded hob with 1.5mm 304 stainless steel bull nose
- Splashback and side panels 1.2mm 304 stainless steel
- Front panels 0.9mm 304 stainless steel
- 6mm thick ceramic glass cooking surface

#### CABINET BASE

- Fully modular for match suite finish
- Double skin 0.9mm stainless steel interior and exterior
- 63mm dia. heavy-duty 1.2mm 304 stainless steel legs with adjust. feet

### CONTROLS

- Large easy use control knob
- Two 270mm diameter induction zones
- Infinitely variable power controls for each induction zone
- Automatic pan detection switches cooking zone off when pan removed
- Heating ON indicator lights (green) including pan detection indication
- Error mode indicator light (red)

### CLEANING AND SERVICING

- All models with easy clean stainless steel external finish
- Fully sealed cooking surface
- Removable full stainless steel air intake filters (induction cooling)
- Front service access

- Heavy-duty construction
- Two 5kW induction zones
- Cabinet base with door
- Stainless steel cabinet interior
- Stainless steel exterior
- Black vitreous enamel finish to front panels
- Easy clean
- Fully modular

### Series Options

INLB - Low back models

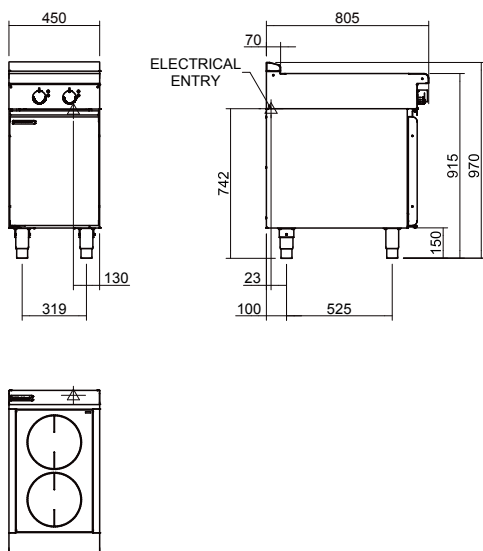
INB - 215mm splashback option

---

# Waldorf Bold

## Induction Cooktop 450mm

INLB8200E-CD



### SPECIFICATIONS

#### Cooktop

2 x 5kW induction plates  
Ø 270mm cooking zones

#### Electrical requirements

IN8400E  
10kW, 400-415Vac, 50/60hz, 3P+N+E  
16A/phase

#### Electrical connection

130mm from RH side, 24mm from rear  
740mm from floor

#### Dimensions

Width 450mm  
Depth 805mm  
Height 915mm  
Incl. low back 970mm  
Incl. splashback option 1130mm

#### Nett weight

88kg

#### Packing data

0.54m<sup>3</sup>, 130kg  
Width 495mm  
Depth 865mm  
Height 1255mm

#### OPTIONS AT EXTRA COST

Castors  
Plinth mounting

**MOFFAT**

moffat.com.au  
moffat.co.nz

#### Australia

moffat.com.au

#### Moffat Pty Limited

Victoria/Tasmania  
740 Springvale Road  
Mulgrave, Victoria 3170  
Telephone +613-9518 3888  
Facsimile +613-9518 3833  
vsales@moffat.com.au

New South Wales  
Telephone +612-8833 4111  
nswsales@moffat.com.au

South Australia  
Telephone -613-9518 3888  
vsales@moffat.com.au

#### Queensland

Telephone +617-3630 8600  
qldsals@moffat.com.au

Western Australia  
Telephone 618-9413 2400  
wasales@moffat.com.au

#### New Zealand

moffat.co.nz

#### Moffat Limited

Rolleston  
45 Illinois Drive  
Izone Business Hub  
Rolleston 7675  
Telephone +64 3-983 6600  
Facsimile +64 3-983 6660  
sales@moffat.co.nz

#### Auckland

Telephone +64 9-574 3150  
sales@moffat.co.nz



ISO9001  
Quality  
Management  
Standard

Designed and manufactured by

**MOFFAT**

ISO9001

All Waldorf Bold products are designed and manufactured by Moffat using the internationally recognised ISO9001 quality management system, covering design, manufacture and final inspection, ensuring consistent high quality at all times.

In line with policy to continually develop and improve its products, Moffat Limited reserves the right to change specifications and design without notice.

© Copyright Moffat Ltd  
AN.WBD.S.02.19

an Ali Group Company



The Spirit of Excellence