

SD12
(Frame canopy option)

STANDARD FEATURES

- › Coiled copper refrigeration of base of well
- › Well fully insulated with polyurethane foam
- › Stainless steel well
- › Gastronorm pans not supplied with unit
- › Elegant stainless steel gantry
- › Planar glass canopy as standard
- › Designer overhead **SlimLED** lighting system with 12V safety
- › Refrigeration unit provided as Integral (condenser in cradle)
- › Relies on contact refrigeration: product temperature achieved is dependent on degree of container contact with deck and density of food. Not designed to hold food under 5°C

CUSTOM FEATURES

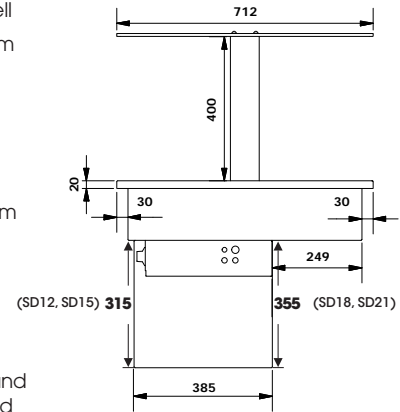
- › Height of well can be 20mm or more
- › Width of well flange can be 50mm or more
- › Length and depth of well can be built to custom dimensions
- › Can be designed to accommodate Gastronorm pans, sushi trays or other containers
- › Sushi trays, powder-coated to colour of choice, are available

For Sneeze-Guard and glass canopy options refer to page 58

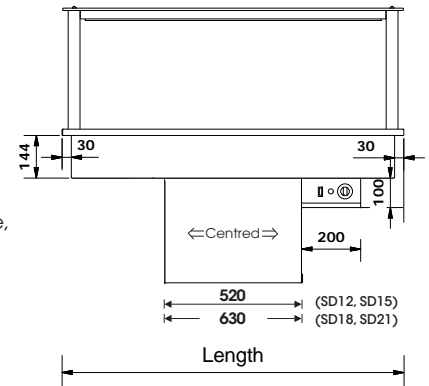
For Factory Options refer to page 60

For Cabinet Accessories refer to page 66

SIDE VIEW



REAR VIEW



SOMERSET: COLD DECK

With its clean lines and high quality finish this Cold Deck offers versatility for a range of food presentations. Whether it be a sushi deck or breakfast bar this Somerset cabinet lets food look great.

Model	SD12	SD15	SD18	SD21
Length	1155mm	1480mm	1805mm	2130mm
Depth*	712mm	712mm	712mm	712mm
Well Height	50mm	50mm	50mm	50mm
Canopy Height Above Counter	430mm	430mm	430mm	430mm
Power Connection	10A Plug	10A Plug	10A Plug	10A Plug